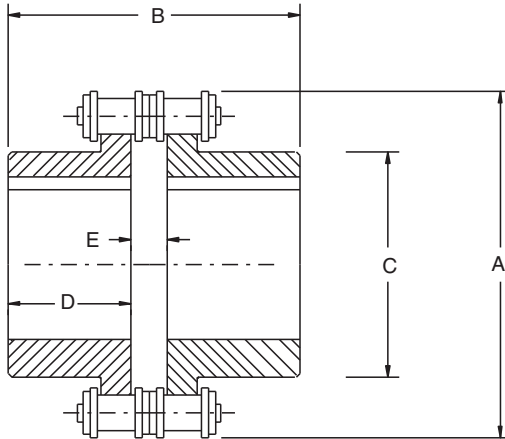




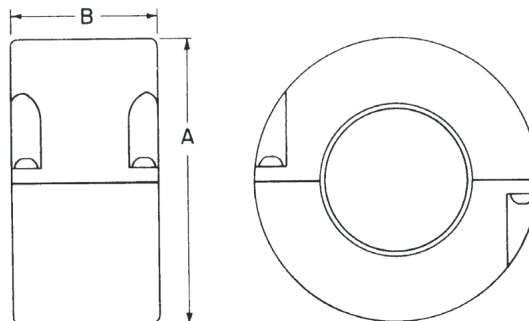
Chain Couplings

stock and finished bore



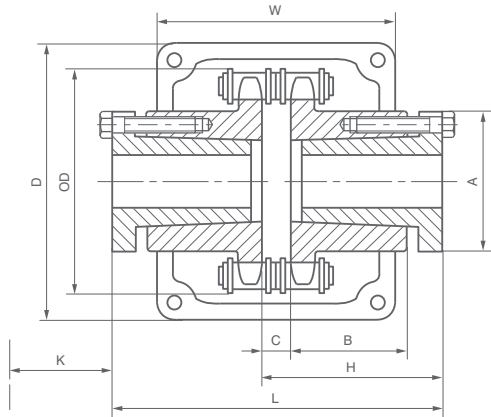
Coupling No.	Chain Type	Bore Diameter				B		D		E		C		A		Coupling Weight (kg)
		Stock Bore		Max.												
		ANSI No.	inch	mm	inch	mm	inch	mm	inch	mm	inch	mm	inch	mm		
3012	06B-2	0.472	12.0	0.630	16	2.551	64.8	1.161	29.5	0.236	6	1.071	27.2	1.772	45	0.30
4012	40-2	0.472	12.0	0.866	22	3.126	79.4	1.417	36	0.291	7.4	1.417	36	2.441	62	0.80
4014	40-2	0.472	12.0	1.102	28	3.126	79.4	1.417	36	0.291	7.4	1.772	45	2.717	69	1.10
4016	40-2	0.531	13.5	1.260	32	3.441	87.4	1.575	40	0.291	7.4	2.028	51.5	3.031	77	1.50
5014	50-2	0.591	15.0	1.378	35	3.925	99.7	1.772	45	0.382	9.7	2.205	56	3.386	86	2.20
5016	50-2	0.63	16.0	1.575	40	3.925	99.7	1.772	45	0.382	9.7	2.520	64	3.780	96	2.70
5018	50-2	0.63	16.0	1.772	45	3.925	99.7	1.772	45	0.382	9.7	2.894	73.5	4.173	106	3.80
6018	60-2	0.787	20.0	2.205	56	4.862	123.5	2.205	56	0.453	11.5	3.524	89.5	5.000	127	6.50
6020	60-2	0.787	20.0	2.362	60	4.862	123.5	2.205	56	0.453	11.5	4.035	102.5	5.472	139	7.80
6022	60-2	0.787	20.0	2.795	71	4.862	123.5	2.205	56	0.453	11.5	4.528	115	5.945	151	10.50
8018	80-2	0.787	20.0	3.150	80	5.559	141.2	2.480	63	0.598	15.2	4.528	115	6.654	169	13.80
8020	80-2	0.787	20.0	3.543	90	5.717	145.2	2.559	65	0.598	15.2	4.921	125	7.283	185	16.00
8022	80-2	0.787	20.0	3.937	100	6.189	157.2	2.795	71	0.598	15.2	5.591	142	7.953	202	21.70
10020	100-2	0.984	25.0	4.331	110	7.039	178.8	3.150	80	0.740	18.8	6.378	162	9.173	233	33.00
12018	100-2	1.378	35.0	4.921	125	7.980	202.7	3.543	90	0.894	22.7	6.811	173	10.079	256	44.00
12022	100-2	1.378	35.0	5.512	140	8.768	222.7	4.134	105	0.894	22.7	8.386	213	11.969	304	69.00

Casing No.	A		B		Casing Weight (kg)
	inch	mm	inch	mm	
3012	2.717	69	2.480	63	0.25
4012	3.031	77	2.835	72	0.35
4014	3.307	84	2.953	75	0.50
4016	3.622	92	2.835	72	0.55
5014	3.976	101	3.346	85	0.70
5016	4.331	110	3.425	87	0.80
5018	4.803	122	3.346	85	0.90
6018	5.787	147	4.134	105	1.40
6020	6.220	158	4.134	105	1.70
6022	6.614	168	4.606	117	1.70
8018	7.480	190	5.079	129	2.40
8020	8.268	210	5.394	137	2.70
8022	8.898	226	5.394	137	2.90
10020	11.063	281	6.024	153	4.00
12018	12.087	307	7.126	181	7.00
12022	14.055	357	7.126	181	8.50



Standard couplings consist of:

- (2) Flanges
- (1) Chain Assembly
- (1) Cover



Couplings Number	Bushing	Bore Max*	Dimension							wt Lbs
			A	B	H	C	L	O.D	K▲	
4016JA	JA	1	2	7/8	1 5/16	9/32	2 29/32	3 1/32	1 1/4	0.9
5018SH	SH	1 3/8	2 31/32	1	1 1/2	3/8	3 3/8	4 3/16	1 3/4	1.3
6020SK	SK	2 1/8	3 7/8	1 1/4	1 7/8	7/16	4 3/16	5 1/2	2 1/4	2.5
8018SF	SF	2 5/16	4 9/16	1 3/4	2 3/8	37/64	5 21/64	6 21/32	2 1/4	5.3

*Maximum bore shown is the maximum bore with standard keyway. It is recommended that this maximum not be exceeded in both halves of a coupling.
 ▲Minimum clearance required to remove the coupling half by using the screws as jack screws.

BORES AND KEY WAYS

Bushing	Bores	Keyseat
JA	3/8-7/16	None
	1/2-1	Std.
	1 1/16-1 3/16	1/4x1/16
	1 1/4	None
SH	1/2-1 3/8	Std.
	1 7/16-1 5/8	3/8x1/16
	1 11/16	None
SK	1/2-2 1/8	Std.
	2 3/16-2 1/4	1/2x1/8
	2 5/16-2 1/2	5/8x1/16
	2 9/16-2 5/8	None
SF	1/2-2 1/4	Std.
	2 5/16-2 1/2	5/8x3/16
	2 9/16-2 3/4	5/8x1/16
	2 13/16-2 7/8	3/4x1/16
	2 15/16	3/4x1/32

QTL Taper Bushing

STANDARD KEY WAY & KEY DIMENSION

Bore	Key Seat	Key
1/2-9/16	1/8x1/16	1/8x1/8
5/8-7/8	3/16x3/32	3/16x3/16
15/16-1 1/4	1/4x1/8	1/4x1/4
1 5/16-1 3/8	5/16x5/32	5/16x5/16
1 7/16-1 3/4	3/8x3/16	3/8x3/8
1 13/16-2 1/4	1/2x1/4	1/2x1/2
2 5/16-2 3/4	5/8x5/16	5/8x5/8
2 13/16-3 1/4	3/4x3/8	3/4x3/4
3 5/16-3 3/4	7/8x7/16	7/8x7/8
3 13/16-4 1/2	1x1/2	1x1
4 9/16-5 1/2	1 1/4x5/8	1 1/4x1 1/4
5 9/16-6 1/2	1 1/2x3/4	1 1/2x1 1/2
6 9/16-7 1/2	1 3/4x7/8	1 3/4x1 3/4

Dimension: inch