

TORQUE LIMITER

TL200 TO TL700



TL200⁻¹ TO TL350⁻¹
-2

-Single nut adjustment
with lock washer



TL500⁻¹ TO TL700⁻¹
-2

-Three bolts adjustment

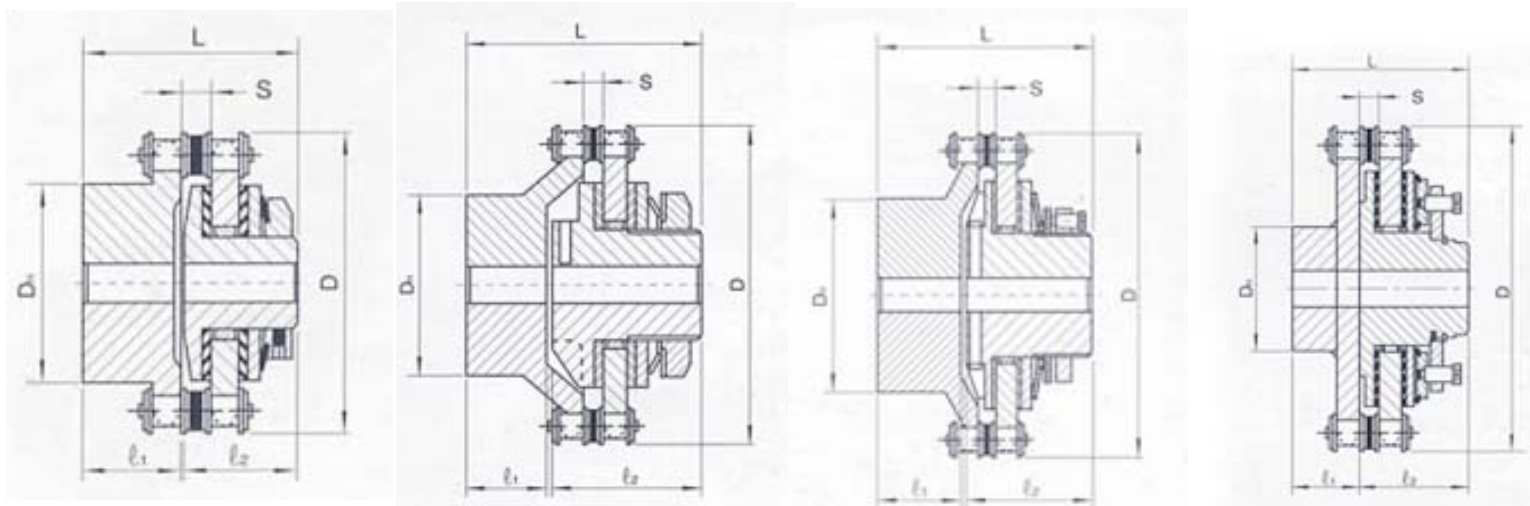


TL200^{-1C} TO TL240^{-6C}
-2C -12C

-Assembly of torque limiter
and Roller Chain Coupling

DIMENSIONS AND CAPACITY FOR TL200 TO TL240

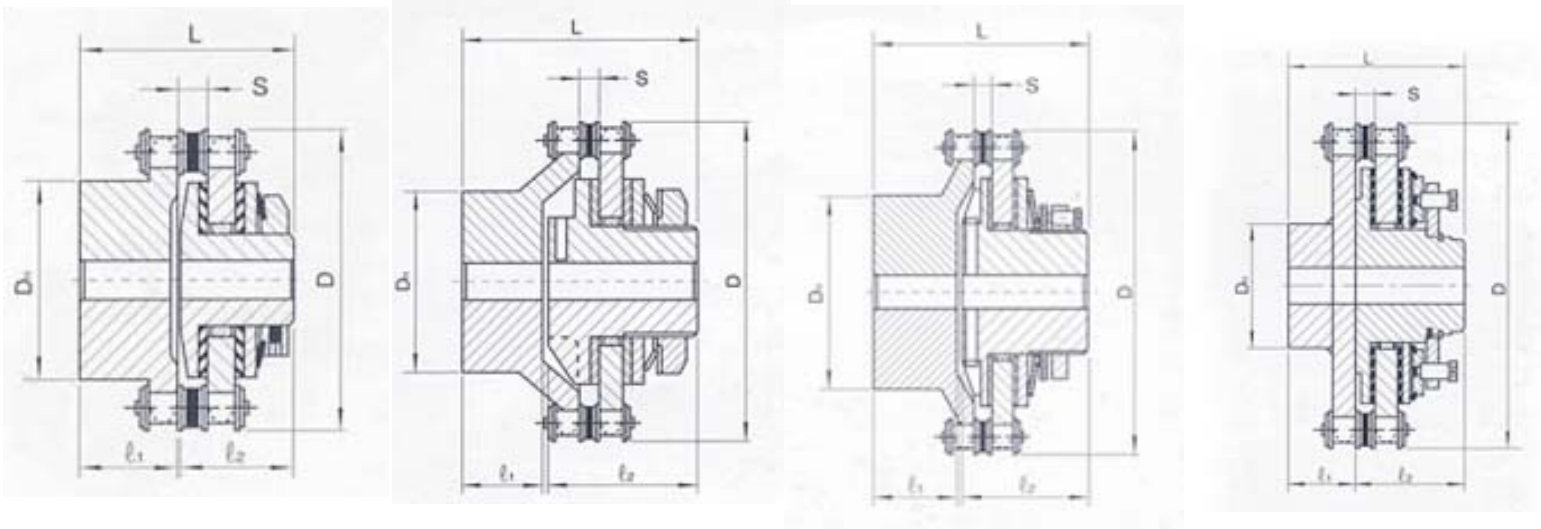
Model	Torque Range (kgf-m)	Plain Bore	Max. Bore	Bush Length	O.D. of Bush	Bore of Center Member	D	DH	L	T	t	S (max.)	A	C	Adjust. Nut	Adjust. Bolt	Set Screw	Weight (kg)
TL200-1	0.3-1	7	14	3.8	30	30	50	24	29	2.6	2.5	7	-	38	M24	-	-	0.2
TL200-2	0.7-2				-0.024 -0.049	0.03 0.00												
TL250-1	0.7-2.8	10	22	4.5	41	41	65	35	48	4.5	3.2	9	4	50	M35	-	M5	0.5
TL250-2	1.4-5.5				-0.010 -0.045	0.05 0.00												
TL350-1	2.0-7.6	17	25	6.5	49	49	89	42	62	4.5	3.2	16	6	63	M42	-	M6	1.2
TL350-2	3.5-15.2				-0.025 -0.065	0.05 0.00												
TL500-1	4.8-21.4	20	42	6.5	74	74	127	65	76	5.7	3.2	16	7	-	M65	M8 P1.0	M8	3
TL500-2	9-42.9				-0.050 -0.100	0.05 0.00												
TL700-1	11.8-58.1	30	64	9.5	105	105	178	95	98	7.7	3.2	29	8	-	M95	M10	M10	6.7
TL700-2	22.8-110.6				-0.075 -0.125	0.05 0.00												
TL100-16	40-130	30	72	12.5	135	135	254	100	115	15	4	24			M18			21
TL100-24	60-190				-0.085 -0.125	0.07 0.00												
TL140-10	90-272	40	100	15.5	183	183	356	145	150	13	4	29			M26			52
TL140-15	200-400			19.5	0.07	0.00												
				23.5	-0.120	0.00												
TL240-6	250-500	50	130	15.5	226	226	508	185	175	15	4	31			P1.5			117
TL240-12	470-950			19.5	0.07	0.00												





TORQUE LIMITER COUPLINGS

TL200C TO TL700C



DIMENSIONS AND CAPACITY FOR TL200 TO TL240 COUPLING

Model	Torque range (kgf-m)	Max. Running Speed (r/min)	Plain Bore		Max. Bore		Sprocket	D	DH	L	l 1	l 2	S	Weight(kg)
			Coupling Half	TL Half	Coupling Half	TL Half								
TL200-1C	0.3-1	1200	8	7	31	14	RS40-16T	76	50	55	24	29	7.5	1
TL200-2C	0.7-2													
TL250-1C	0.7-2.8	1000	13	10	38	22	RS40-22T	102	56	76	25	48	7.4	2
TL250-2C	1.4-5.5													
TL350-1C	2.0-7.6	800	13	17	45	25	RS50-24T	137	72	103	37	62	9.7	5.2
TL350-2C	3.5-15.2													
TL500-1C	4.8-21.4	500	18	20	65	42	RS60-28T	188	105	120	40	76	11.6	12.3
TL500-2C	9-42.9													
TL700-1C	11.8-58.1	400	23	30	90	64	RS80-28T	251	150	168	66	98	15.3	31
TL700-2C	22.8-													
TL100-16C	40-130	300	33	30	95	72	RS140-22T	355	137	189	71	115	26.2	66
TL100-24C	60-190													
TL140-10C	90-272	200	38	40	118	100	RS160-26T	470	167	235	80	150	30.1	140
TL140-15 C	200-400													
TL240-6C	250-500	140	43	50	150	130	RS160-36T	631	237	300	120	175	30.1	285
TL240-12C	470-950													