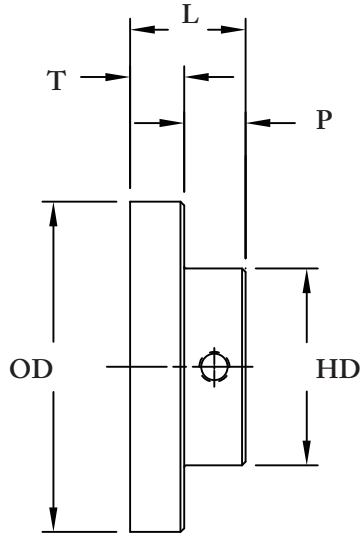


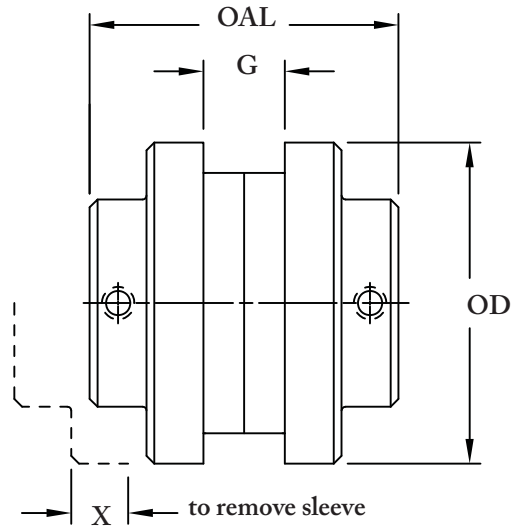


FIRM-FLEX COUPLINGS

J-TYPE FLANGE



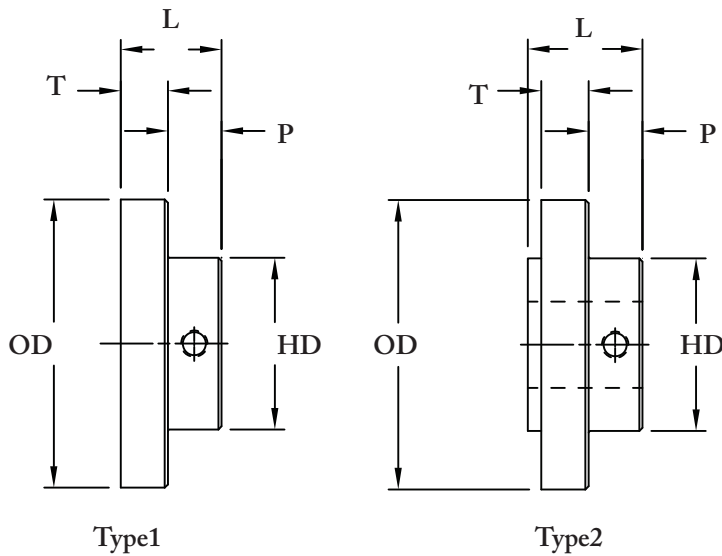
J Type Flange



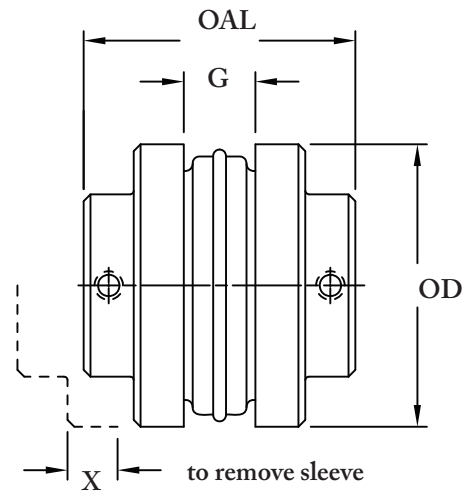
J Type Coupling

| Flange Size | Dimensions (inches) | | | | | | | | Weight (lbs) | |
|-------------|---------------------|-------|------|-------|-------|-------|-------|-------|--------------|----------|
| | L | OD | P | G | HD | OAL | T | X | Flange | Coupling |
| 3J | 0.8125 | 2.062 | 0.44 | 0.375 | 1.500 | 2.000 | 0.375 | 0.563 | 0.30 | 0.68 |
| 4J | 0.8750 | 2.460 | 0.44 | 0.625 | 1.625 | 2.375 | 0.438 | 0.750 | 0.40 | 0.89 |
| 5J | 1.0625 | 3.250 | 0.47 | 0.750 | 1.875 | 2.875 | 0.594 | 0.969 | 1.10 | 2.40 |
| 6JT1 | 1.2188 | 4.000 | 0.59 | 0.875 | 1.938 | 3.313 | 0.594 | 1.094 | 1.90 | 4.36 |
| 6JT2 | 1.2188 | 4.000 | 0.59 | 0.875 | 2.500 | 3.313 | 0.625 | 1.094 | 1.90 | 4.36 |

J-Flange material: Sintered Steel



S Type Flange



S Type Coupling

| Flange Size | TYPE | Dimensions (inches) | | | | | | | | Weight Flange |
|-------------|------|---------------------|--------|------|-------|-------|------|------|------|---------------|
| | | L | OD | P | G | HD | OAL | T | X | |
| 5S | 2 | 1.34 | 3.250 | 0.45 | 0.75 | 1.875 | 2.84 | 0.59 | 0.97 | 1.1 |
| 6S-1 | 2 | 1.63 | 4.000 | 0.56 | 0.875 | 2.500 | 3.56 | 0.78 | 1.09 | 1.9 |
| 6S-2 | 1 | 1.31 | 4.000 | 0.53 | 0.875 | 2.500 | 3.50 | 0.78 | 1.09 | 1.9 |
| 6S-3 | 1 | 1.56 | 4.000 | 0.78 | 0.875 | 2.813 | 4.00 | 0.78 | 1.09 | 1.9 |
| 7S | 2 | 1.84 | 4.625 | 0.69 | 1 | 2.813 | 3.94 | 0.78 | 1.31 | 2.6 |
| 8S-1 | 2 | 2.09 | 5.450 | 0.75 | 1.125 | 3.250 | 4.44 | 0.91 | 1.50 | 4.4 |
| 8S-2 | 1 | 1.94 | 5.450 | 1.03 | 1.125 | 3.250 | 5.00 | 0.91 | 1.50 | 3.7 |
| 9S-1 | 2 | 2.41 | 6.350 | 0.78 | 1.437 | 3.625 | 5.06 | 1.03 | 1.75 | 6.5 |
| 9S-2 | 1 | 2.28 | 6.350 | 1.25 | 1.437 | 4.125 | 6.00 | 1.03 | 1.75 | 6.2 |
| 10S-1 | 2 | 2.66 | 7.500 | 0.81 | 1.625 | 4.375 | 5.69 | 1.22 | 2.00 | 10.5 |
| 10S-2 | 1 | 2.69 | 7.500 | 1.47 | 1.625 | 4.750 | 7.00 | 1.22 | 2.00 | 10.5 |
| 11S-1 | 2 | 3.44 | 8.625 | 1.13 | 1.88 | 3.750 | 7.13 | 1.50 | 2.38 | 16.6 |
| 11S-2 | 2 | 3.44 | 8.625 | 1.13 | 1.88 | 4.875 | 7.13 | 1.50 | 2.38 | 16.6 |
| 11S-3 | 2 | 3.44 | 8.625 | 1.13 | 1.88 | 5.250 | 7.13 | 1.50 | 2.38 | 16.6 |
| 11S-4 | 2 | 3.06 | 8.625 | 1.56 | 1.88 | 5.625 | 8.00 | 1.50 | 2.38 | 16.6 |
| 12S-1 | 2 | 4.00 | 10.000 | 1.28 | 2.31 | 3.750 | 8.25 | 1.69 | 2.69 | 27.5 |
| 12S-2 | 2 | 4.00 | 10.000 | 1.28 | 2.31 | 4.875 | 8.25 | 1.69 | 2.69 | 27.5 |
| 12S-3 | 2 | 4.00 | 10.000 | 1.28 | 2.31 | 5.750 | 8.25 | 1.69 | 2.69 | 27.5 |
| 13S-1 | 2 | 4.38 | 11.750 | 1.31 | 2.69 | 4.875 | 9.25 | 1.97 | 3.06 | 45 |
| 13S-2 | 2 | 4.38 | 11.750 | 1.31 | 2.69 | 6.750 | 9.25 | 1.97 | 3.06 | 45 |
| 14S-1 | 2 | 4.50 | 13.875 | 1.06 | 3.25 | 4.875 | 9.88 | 2.25 | 3.50 | 69 |
| 14S-2 | 2 | 4.50 | 13.875 | 1.06 | 3.25 | 7.500 | 9.88 | 2.25 | 3.50 | 69 |

S-Flange material: Cast Iron (GG20-22)



FIRM-FLEX COUPLINGS

| Flange Size | Stock Bore (inches) | Keyseat |
|-------------|------------------------|-------------|
| 3J | 3/8 · 1/2 | none |
| | 5/8 · 3/4 · 7/8 | 3/16 x 3/32 |
| 4J | 1/2 | none |
| | 5/8 · 3/4 · 7/8 | 3/16 x 3/32 |
| | 15/16 · 1 | 1/4 x 1/8 |
| 5J | 1/2 | none |
| | 5/8 · 3/4 · 7/8 | 3/16 x 3/32 |
| | 15/16 · 1 · 1-1/8 | 1/4 x 1/8 |
| 6JT1 | 5/8 · 3/4 · 7/8 | 3/16 x 3/32 |
| | 15/16 · 1 | 1/4 x 1/8 |
| 6JT2 | 1-1/8 · 1-3/16 · 1-1/4 | 1/4 x 1/8 |
| | 1-3/8 | 5/16 x 5/32 |

SLEEVE

| Type | Description |
|-------|---|
| EPDM | ThermoPlastic, one piece solid |
| EPDMS | ThermoPlastic, one piece split |
| REM | ThermoPlastic, two piece w/Retaining Ring |
| RN | Neoprene, 2 piece w/Retaining Ring |
| RH | Hytrell, one piece solid |

| Flange Size | Stock Bore (inches) | Keyseat |
|-------------|--|--------------|
| 5S | 5/8 · 3/4 · 13/16 · 7/8 | 3/16 x 3/32 |
| | 15/16 · 1 · 1 1/16 · 1 1/8 | 1/4 x 1/8 |
| | 1 3/16 | 1/4 x 1/8 |
| 6S-1 | 1 1/4 | 1/4 x 1/16** |
| | 3/4 · 7/8 | 3/16 x 3/32 |
| | 15/16 · 1 · 1 1/16 · 1 1/8 | 1/4 x 1/8 |
| | 1 3/16 · 1 1/4 | 1/4 x 1/8 |
| | 1 5/16 · 1 3/8 | 5/16 x 5/32 |
| 6S-2 | 1 7/16 | 3/8 x 3/16 |
| | 1 1/2 | 3/8 x 1/8** |
| | 1 5/8 | 3/8 x 1/8** |
| 6S-3 | 1 3/4 | 3/8 x 1/16** |
| | 1 7/8 | 1/2 x 1/8** |
| 7S | 3/4 · 7/8 | 3/16 x 3/32 |
| | 15/16 · 1 · 1 1/16 · 1 1/8 | 1/4 x 1/8 |
| | 1 3/16 · 1 1/4 | 1/4 x 1/8 |
| | 1 5/16 · 1 3/8 | 5/16 x 5/32 |
| | 1 7/16 · 1 1/2 · 1 5/8 | 3/8 x 3/16 |
| | 1 7/8 | 1/2 x 1/8** |
| 8S-1 | 3/4 · 7/8 | 3/16 x 3/32 |
| | 15/16 · 1 · 1 1/8 · 1 3/16 | 1/4 x 1/8 |
| | 1 1/4 | 1/4 x 1/8 |
| | 1 5/16 · 1 3/8 | 5/16 x 5/32 |
| | 1 7/16 · 1 1/2 · 1 9/16 · 1 5/8 | 3/8 x 3/16 |
| | 1 11/16 · 1 3/4 | 3/8 x 3/16 |
| | 1 7/8 · 1 15/16 | 1/2 x 1/4 |
| | 2 1/8 | 1/2 x 3/16** |
| 8S-2 | 2 3/8 | 5/8 x 1/8** |
| 9S-1 | 7/8 | 3/16 x 3/32 |
| | 1 · 1 1/8 · 1 1/4 | 1/4 x 1/8 |
| | 1 3/8 | 5/16 x 5/32 |
| | 1 7/16 · 1 1/2 · 1 9/16 · 1 5/8 | 3/8 x 3/16 |
| | 1 11/16 · 1 3/4 | 3/8 x 3/16 |
| | 1 7/8 · 1 15/16 · 2 · 2 1/8 | 1/2 x 1/4 |
| | 2 3/16 · 2 1/4 | 1/2 x 1/4 |
| 9S-2 | 2 3/8 · 2 1/2 | 5/8 x 5/16 |
| 10S-1 | 2 7/8 | 3/4 x 1/8** |
| | 1 1/8 · 1 1/4 | 1/4 x 1/8 |
| | 1 3/8 | 5/16 x 5/32 |
| | 1 7/16 · 1 1/2 · 1 9/16 · 1 5/8 | 3/8 x 3/16 |
| | 1 11/16 · 1 3/4 | 3/8 x 3/16 |
| | 1 7/8 · 1 15/16 · 2 · 2 1/8 · 2 3/16 · 2 1/4 | 1/2 x 1/4 |
| | 2 3/8 · 2 7/16 · 2 1/2 · 2 5/8 3/4 | 5/8 x 5/16 |
| 2 7/8 | 3/4 x 1/4** | |
| 10S-2 | 3 3/8 | 7/8 x 3/16** |
| 11S-1 | 1 1/4 | 1/4 x 1/8 |
| | 1 3/8 | 5/16 x 5/32 |
| | 1 1/2 · 1 5/8 · 1 3/4 | 3/8 x 3/16 |
| | 1 7/8 · 2 · 2 1/8 · 2 1/4 | 1/2 x 1/4 |
| 11S-2 | 2 3/8 · 2 3/4 | 5/8 x 5/16 |
| 11S-3 | 2 7/8 | 3/4 x 3/8 |
| | 3 3/8 | 7/8 x 7/16 |
| 11S-4 | 3 7/16 | 7/8 x 3/16** |
| 12S-1 | 3 7/8 | 1 x 1/4** |
| 12S-2 | 1 7/8 · 2 1/8 | 1/2 x 1/4 |
| | 2 3/8 · 2 3/4 | 5/8 x 5/16 |
| 12S-3 | 2 7/8 | 3/4 x 3/8 |
| | 3 3/8 · 3 7/16 | 7/8 x 7/16 |
| | 3 7/8 | 1 x 1/2 |